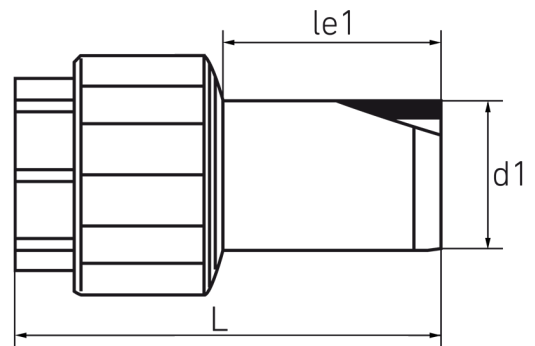
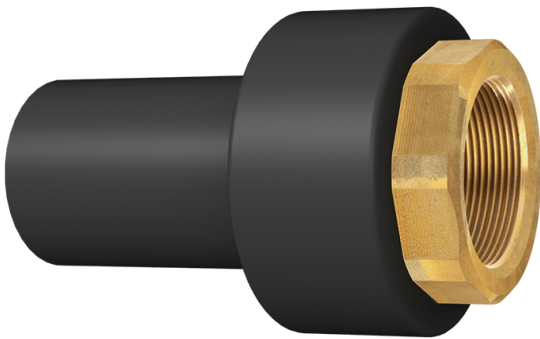


female thread

PE100



SDR 11



| Art. No. | d1 [mm] | Rp [mm] | le1 [mm] | L [mm] | kg |
|------------------|------------|------------|-------------|-----------|-----|
| 4450411100900300 | 90 | 3" | 85 | 145 | 1,7 |

For questions, please feel free to contact us at: Tel. + 49 281 98 414 - 0