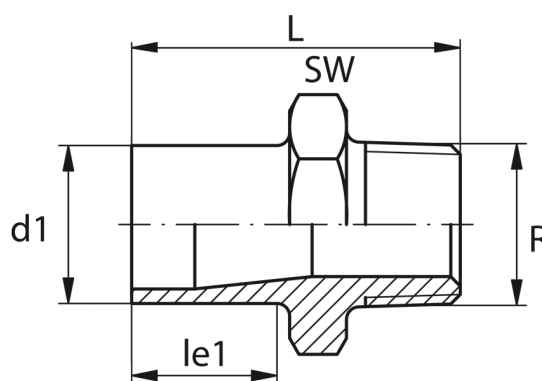


male thread
do not use thread sealing pastes that are harmful to PE
install with low mechanical stress and avoid large cyclic temperature changes

PE100



SDR 11



Art. No.	d1 [mm]	le1 [mm]	L [mm]	SW [mm]	kg
4450701100320001	32	23	55	46	0,03

For questions, please feel free to contact us at: Tel. + 49 281 98 414 - 0