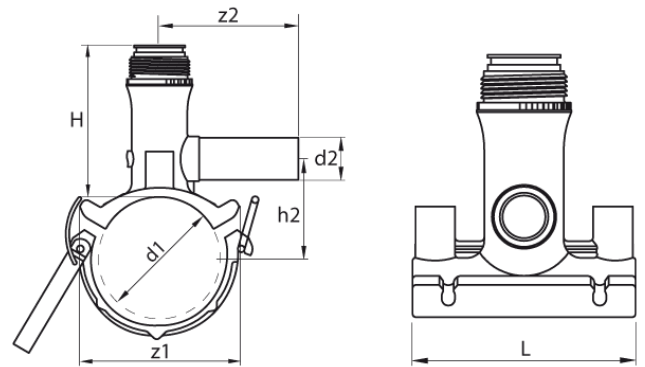


# TAPPING TEE FOR HOUSE CONNECTIONS AND DISTRIBUTION LINES

4 mm Pin  
to be processed with standard 12 mm hexagonal drives  
pressure ratings: water 16 bar / gas 10 bar

PE100



| Art. No.         | d1<br>[mm] | d2<br>[mm] | L<br>[mm] | z2<br>[mm] | H<br>[mm] | h2<br>[mm] | VE | kg   |
|------------------|------------|------------|-----------|------------|-----------|------------|----|------|
| 4470601102000063 | 200        | 63         | 146       | 165        | 183       | 157        | 5  | 1,21 |

\* Tapping tees for 63 mm mains only are not suitable for SDR 17 pressurised pipe applications

For questions, please feel free to contact us at: Tel. + 49 281 98 414 - 0