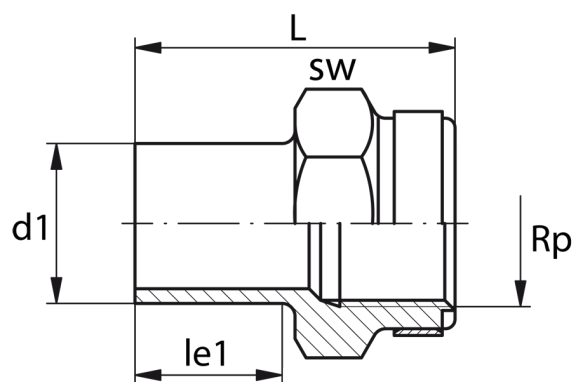


TRANSITION COUPLER



female thread
 reinforcing ring stainless (V2A)
 connection to plastic or metal threads
 do not use thread sealing pastes that are harmful to PE
 install with low mechanical stress and avoid large cyclic temperature changes

PE100



SDR 11



Art. No.	d1 [mm]	Rp [mm]	le1 [mm]	L [mm]	z1 [mm]	SW [mm]	kg
13210031	32	1"	23	55		46	0,04

For questions, please feel free to contact us at: Tel. + 49 281 98 414 - 0